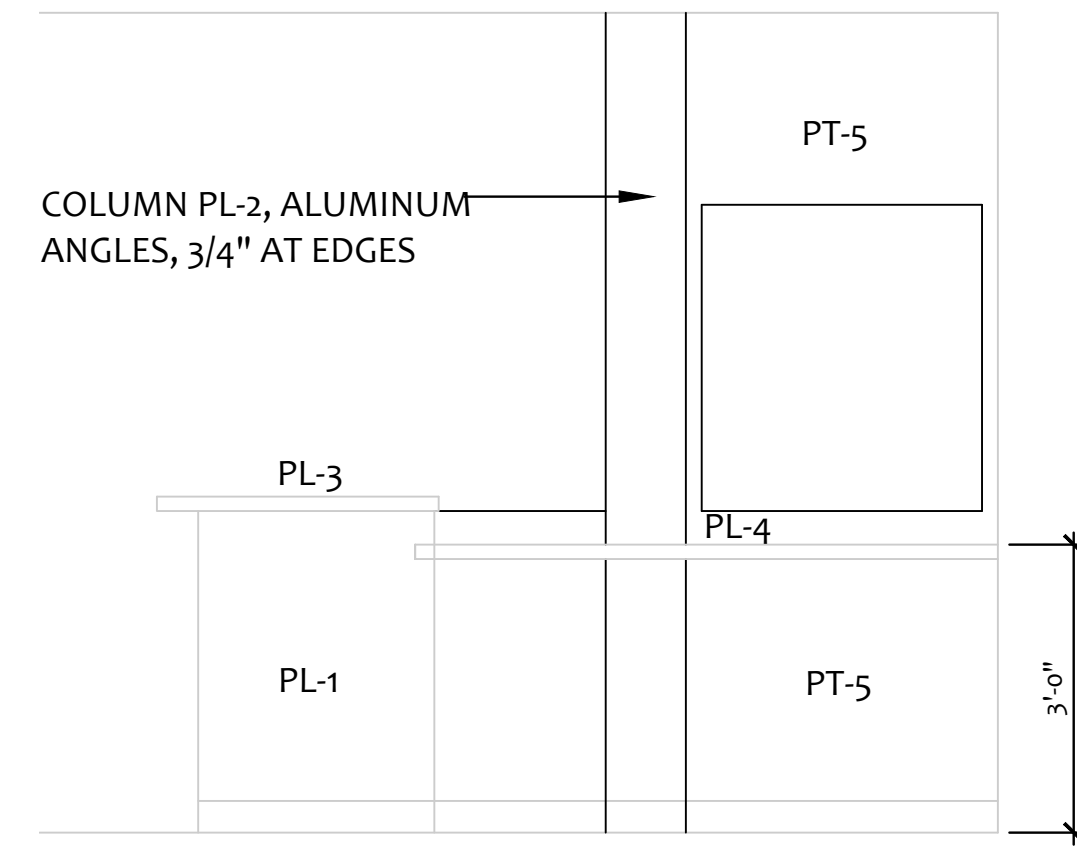


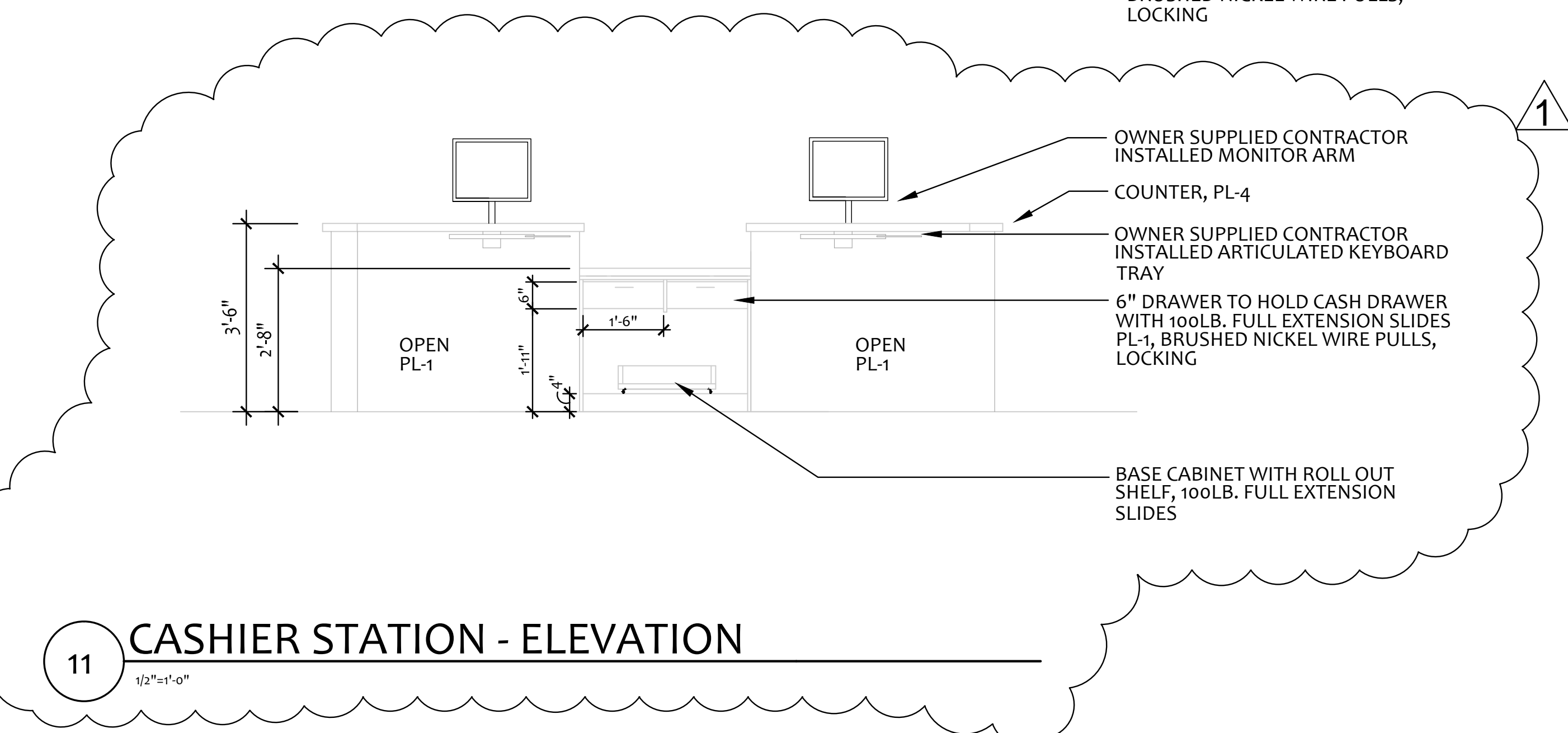
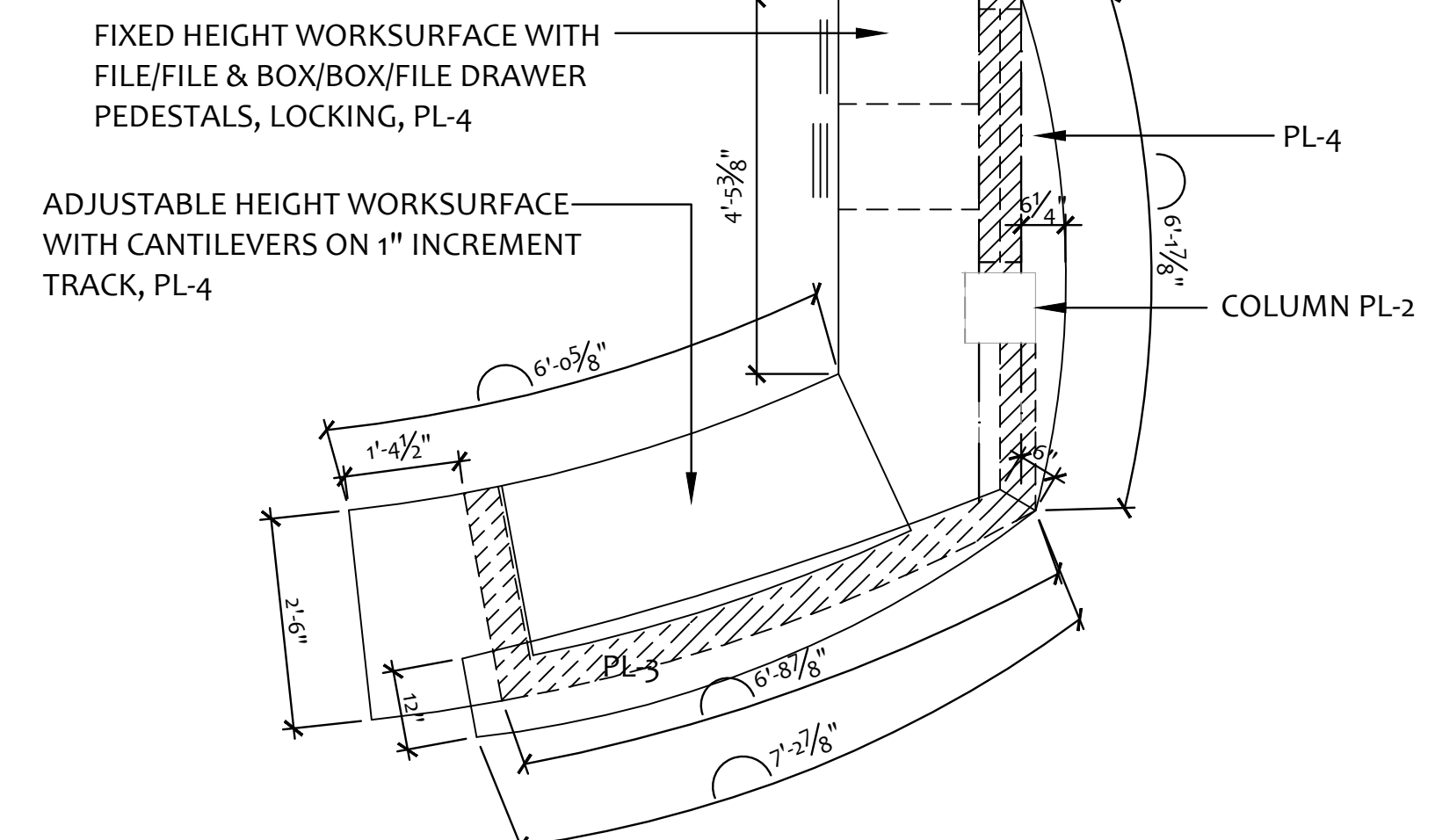
9 RECEPTION STATION - ELEVATION
1/2"=1'-0"

BASE DRAWER CABINET WITH 6"/6 1/2" DRAWERS WITH 100LB. FULL EXTENSION SLIDES, PL-1 BRUSHED NICKEL WIRE PULLS, LOCKING

BASE DRAWER CABINET WITH 12"/12" DRAWERS WITH 100LB. FULL EXTENSION SLIDES, PL-1 BRUSHED NICKEL WIRE PULLS, LOCKING



10 RECEPTION STATION - PLAN VIEW
1/2"=1'-0"



11 CASHIER STATION - ELEVATION
1/2"=1'-0"

OWNER SUPPLIED CONTRACTOR INSTALLED MONITOR ARM

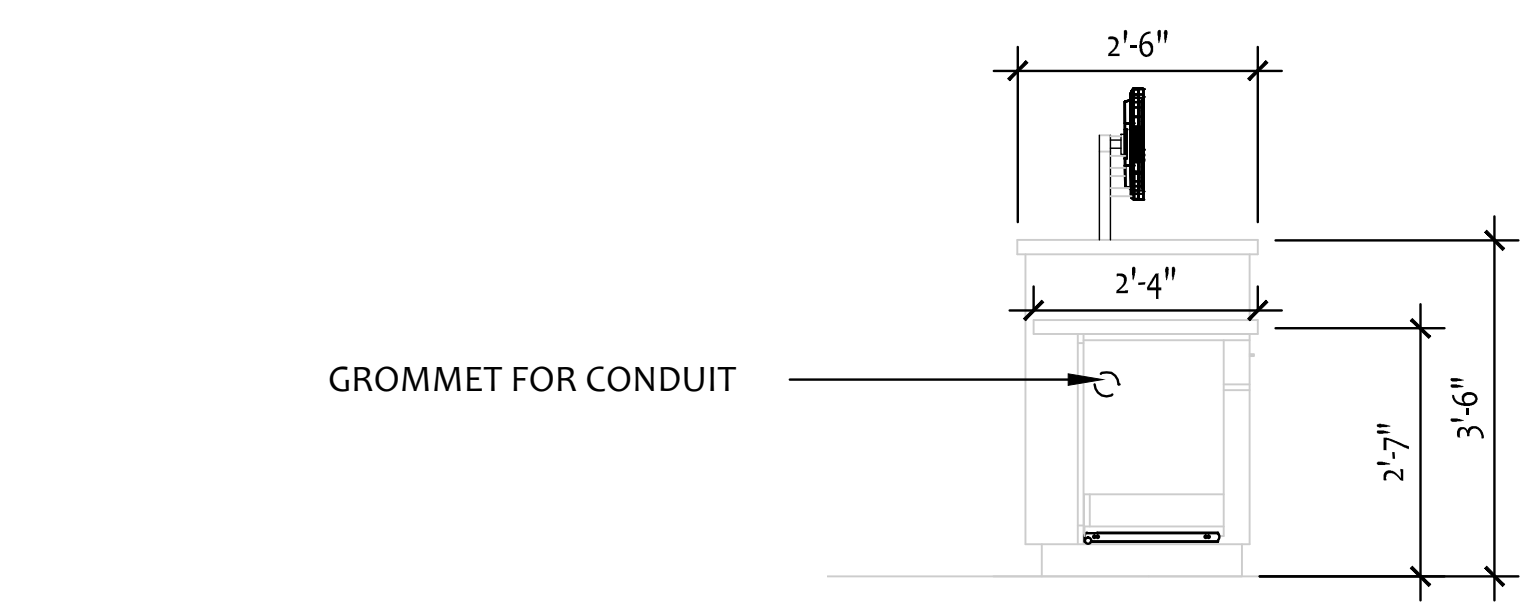
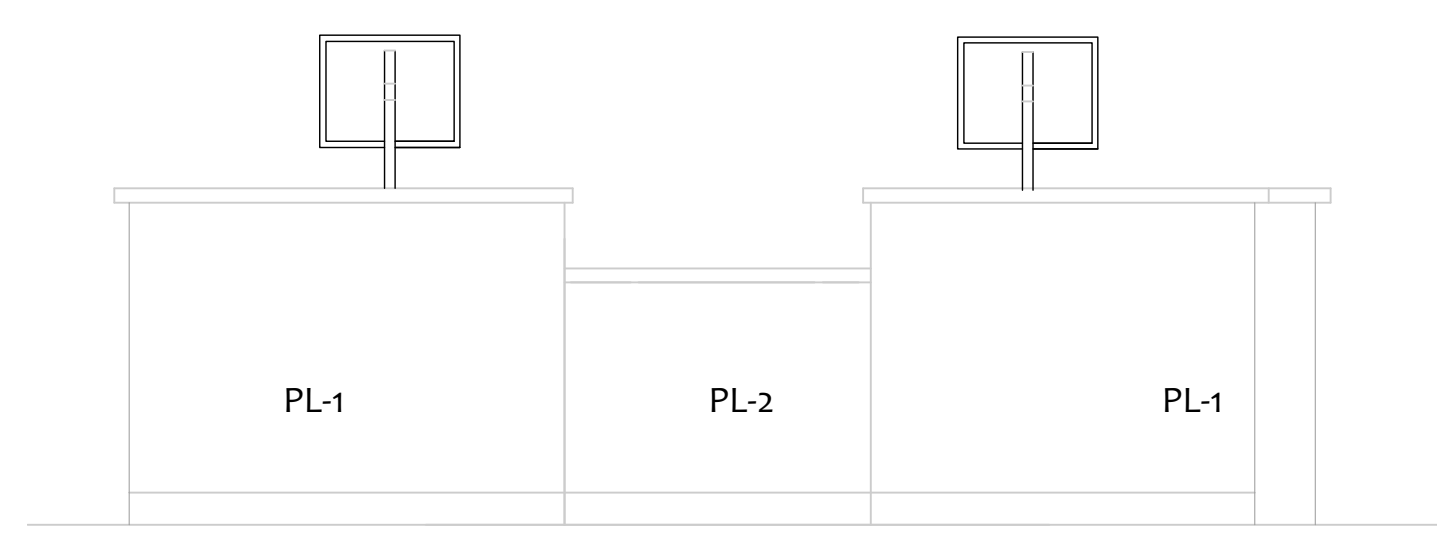
COUNTER, PL-4

OWNER SUPPLIED CONTRACTOR INSTALLED ARTICULATED KEYBOARD TRAY

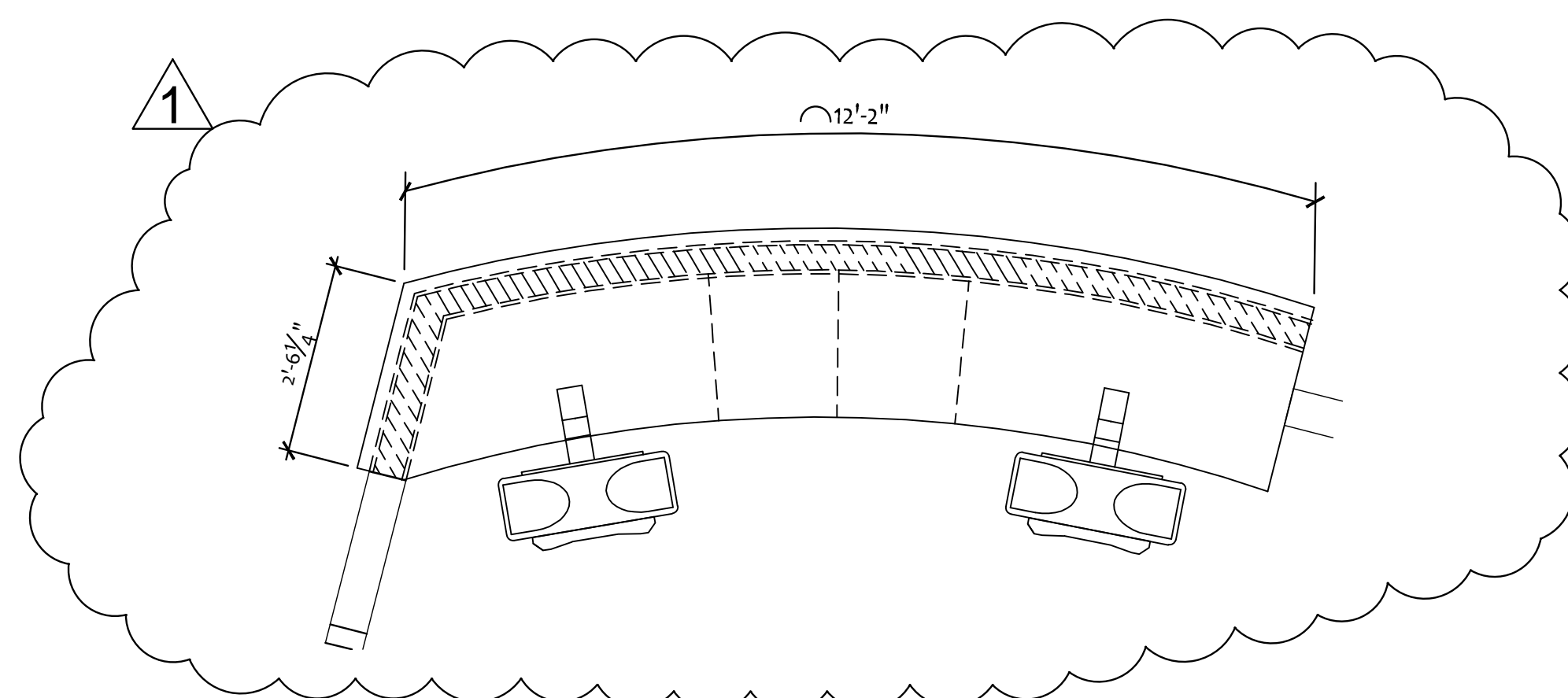
6" DRAWER TO HOLD CASH DRAWER WITH 100LB. FULL EXTENSION SLIDES PL-1, BRUSHED NICKEL WIRE PULLS, LOCKING

BASE CABINET WITH ROLL OUT SHELF, 100LB. FULL EXTENSION SLIDES

12 CASHIER STATION - ELEVATION
1/2"=1'-0"



13 CASHIER STATION - SIDE VIEW
1/2"=1'-0"



14 CASHIER STATION - PLAN VIEW
1/2"=1'-0"

